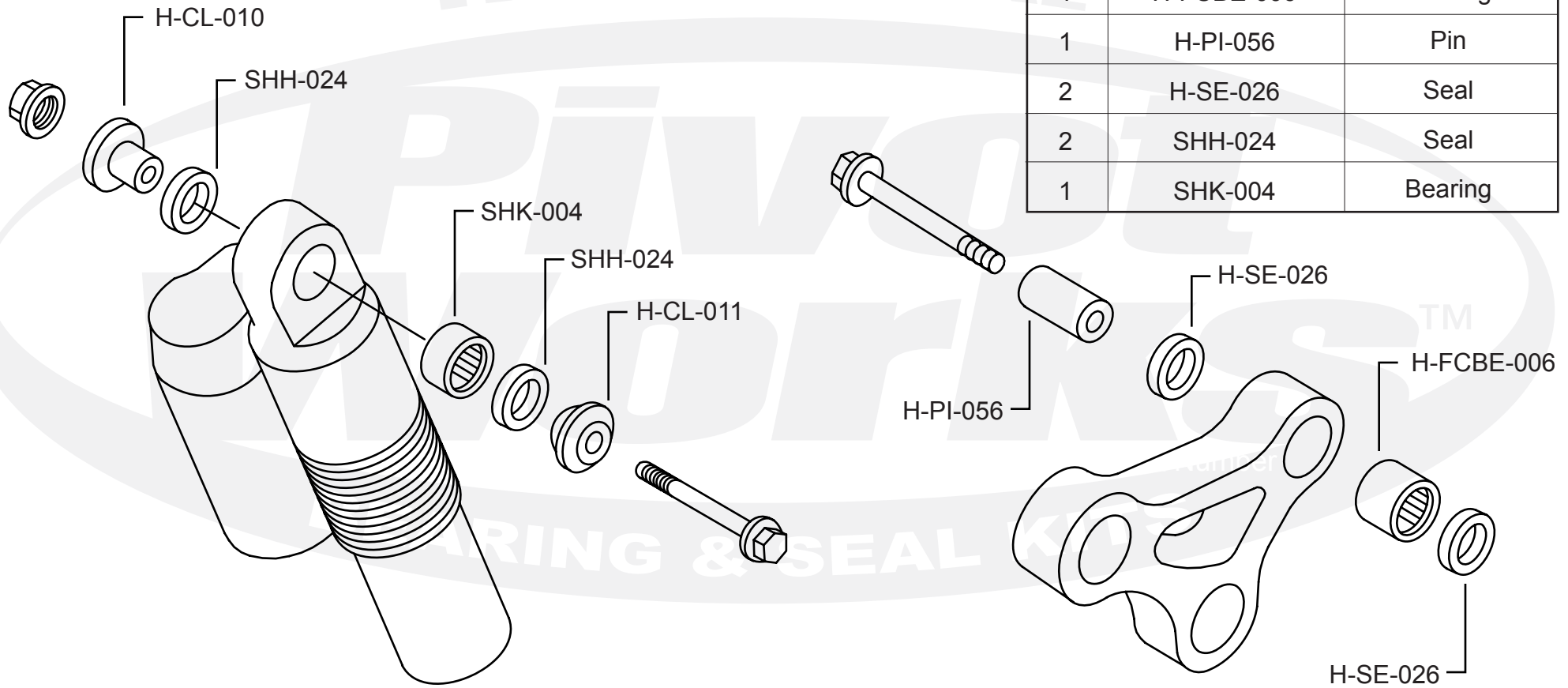


# PWSHK-H24-008



Qty.	Part Number	Description
1	H-CL-010	Collar
1	H-CL-011	Collar
1	H-FCBE-006	Bearing
1	H-PI-056	Pin
2	H-SE-026	Seal
2	SHH-024	Seal
1	SHK-004	Bearing