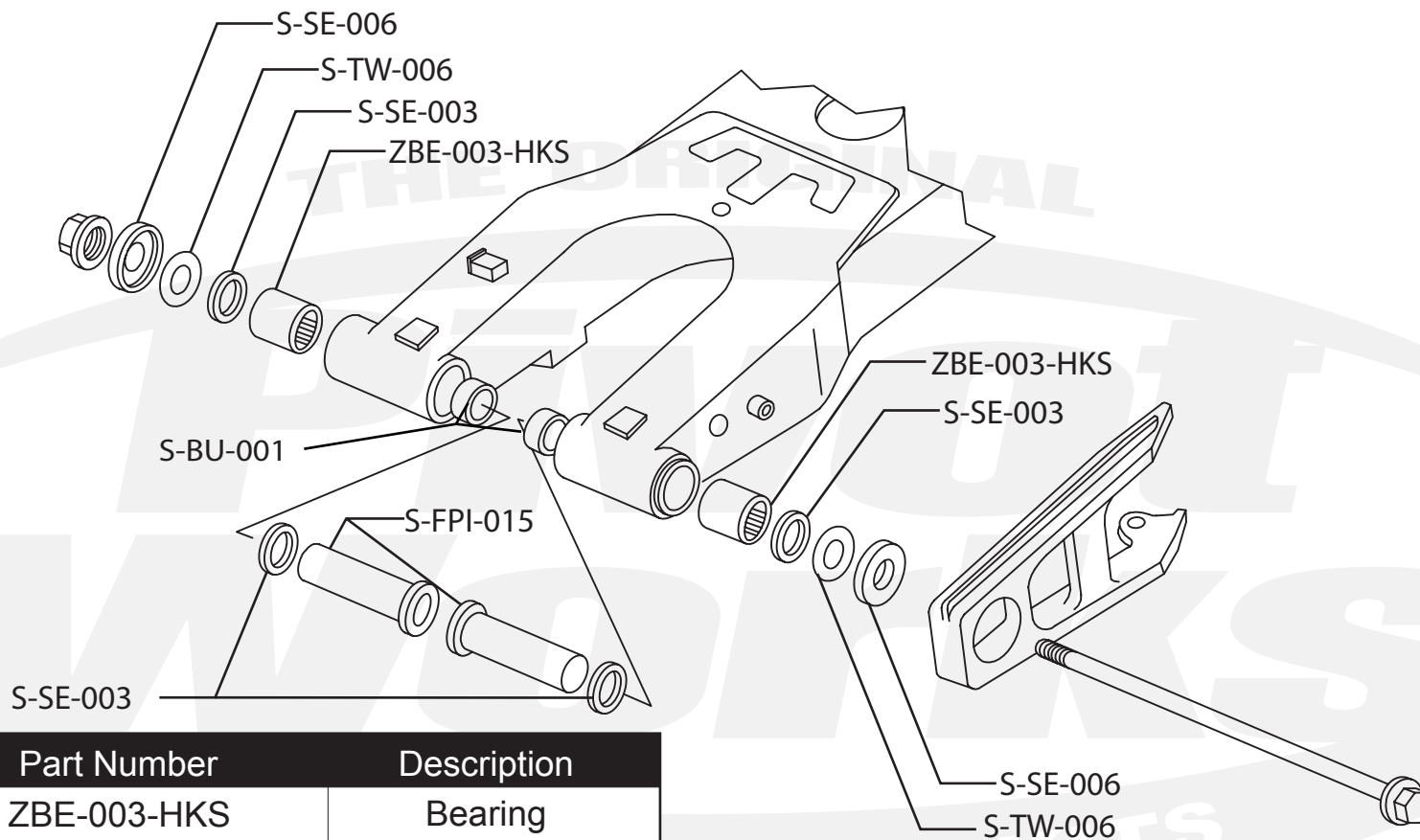


PWSAK-S17-400



Qty.	Part Number	Description
2	ZBE-003-HKS	Bearing
2	S-BU-001	Bushing
4	S-SE-003	Seal
2	S-FPI-015	Spacer
2	S-SE-006	Dust Cover
2	S-TW-006	Thrust Washer