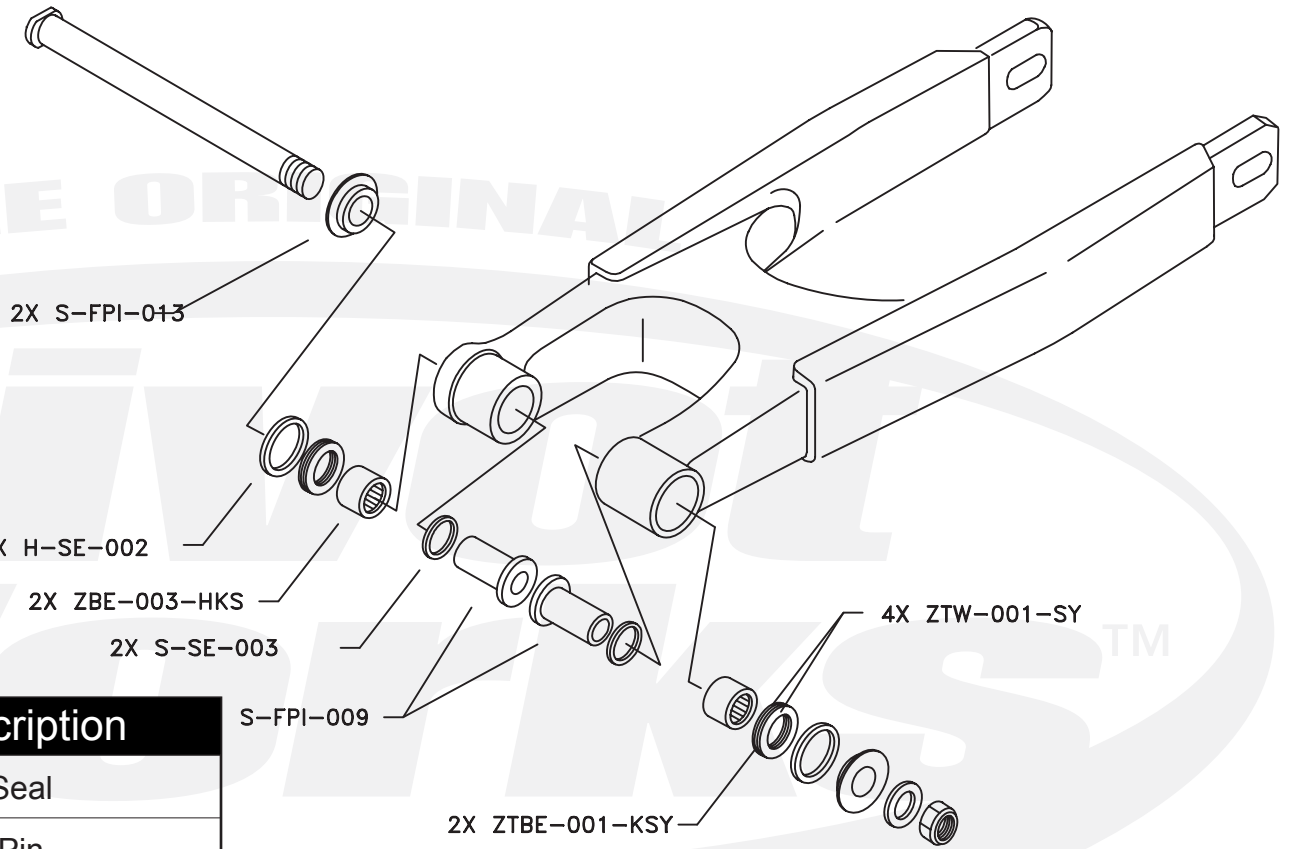


PWSAK-S15-400



Qty.	Part Number	Description
2	H-SE-002	Seal
2	S-FPI-009	Pin
2	S-FPI-013	Pin
2	S-SE-003	Seal
2	ZBE-003-HKS	Bearing
2	ZTBE-001-KSY	Bearing
4	ZTW-001-SY	Washer