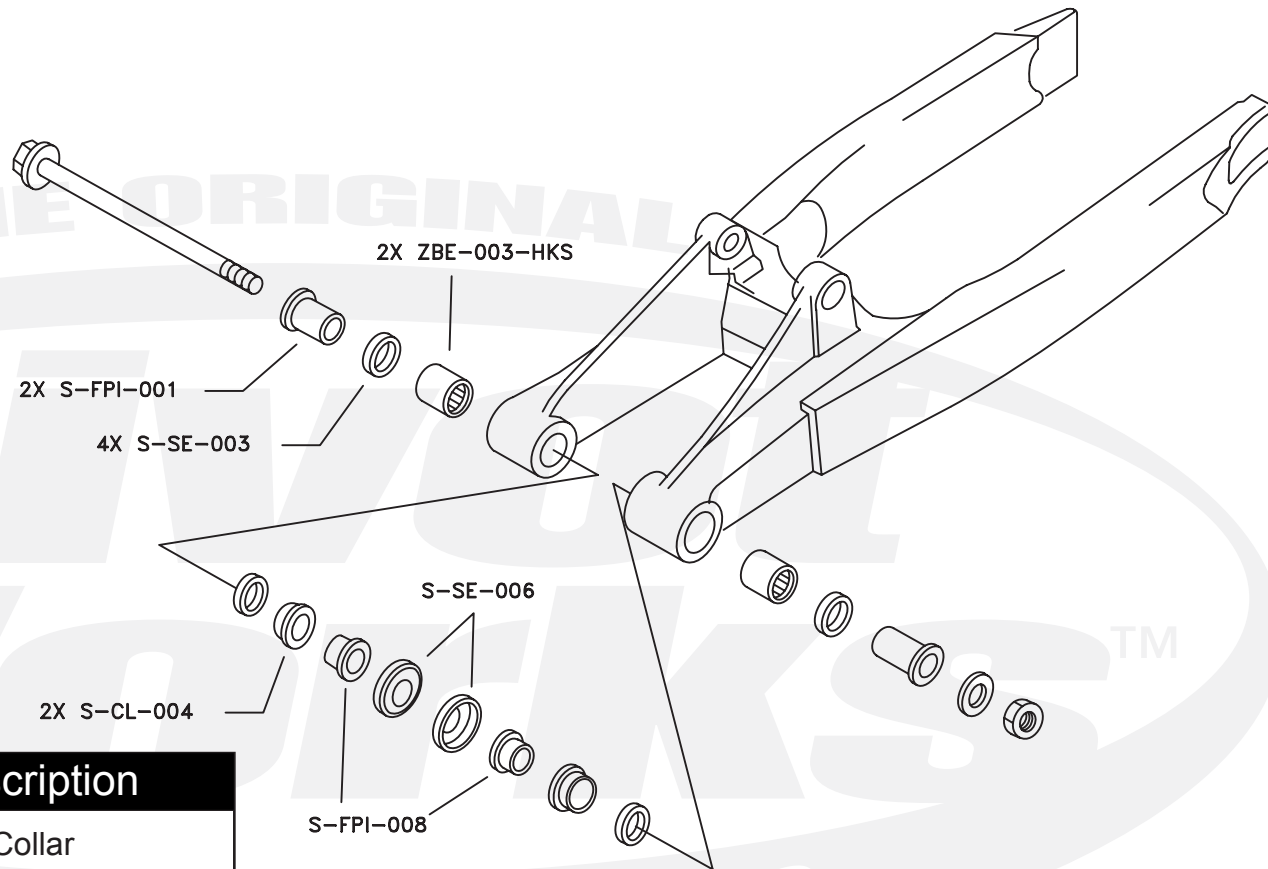


PWSAK-S05-001



Qty.	Part Number	Description
2	S-CL-004	Collar
2	S-FPI-001	Pin
2	S-FPI-008	Pin
4	S-SE-003	Seal
2	S-SE-006	Seal
2	ZBE-003-HKS	Bearing