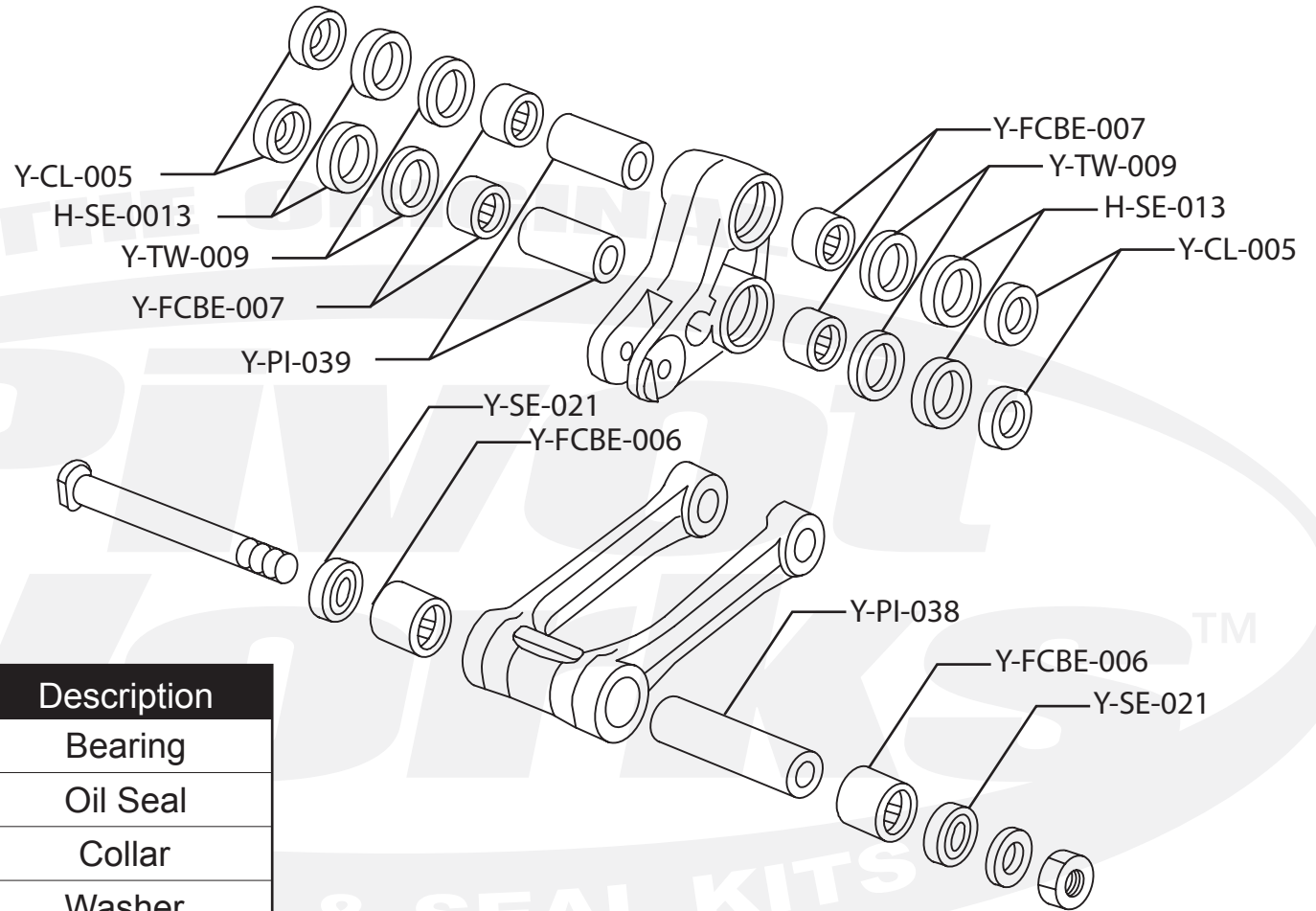


# PWLK-Y09-421



Qty.	Part Number	Description
4	Y-FCBE-007	Bearing
4	H-SE-013	Oil Seal
2	Y-PI-039	Collar
4	Y-TW-009	Washer
4	Y-CL-005	Plate Washer
2	Y-FCBE-006	Bearing
2	Y-SE-021	Oil Seal
1	Y-PI-038	Collar