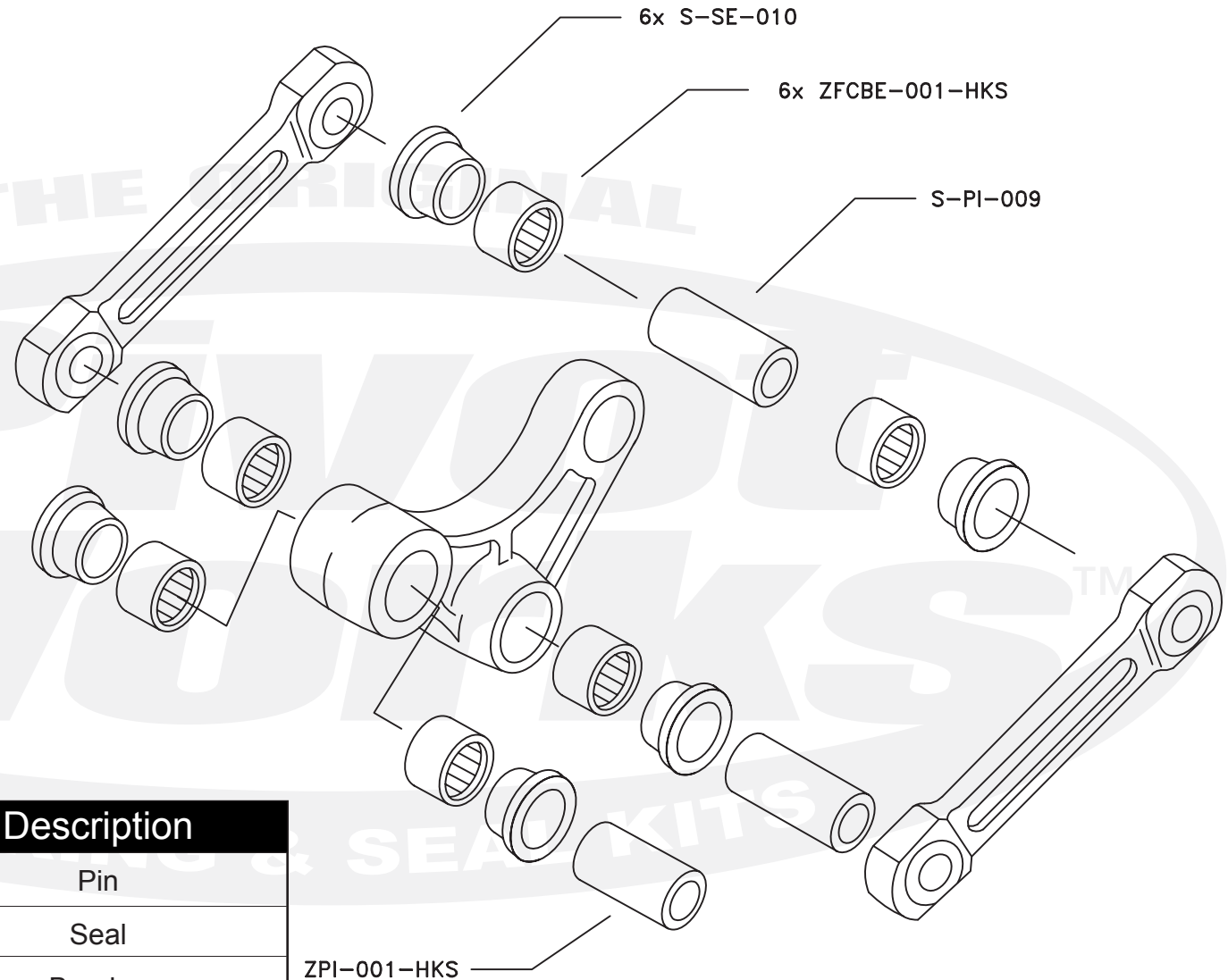


# PWLK-S07-021



Qty.	Part Number	Description
2	S-PI-009	Pin
6	S-SE-010	Seal
6	ZFCBE-001-HKS	Bearing
1	ZPI-001-HKS	Pin