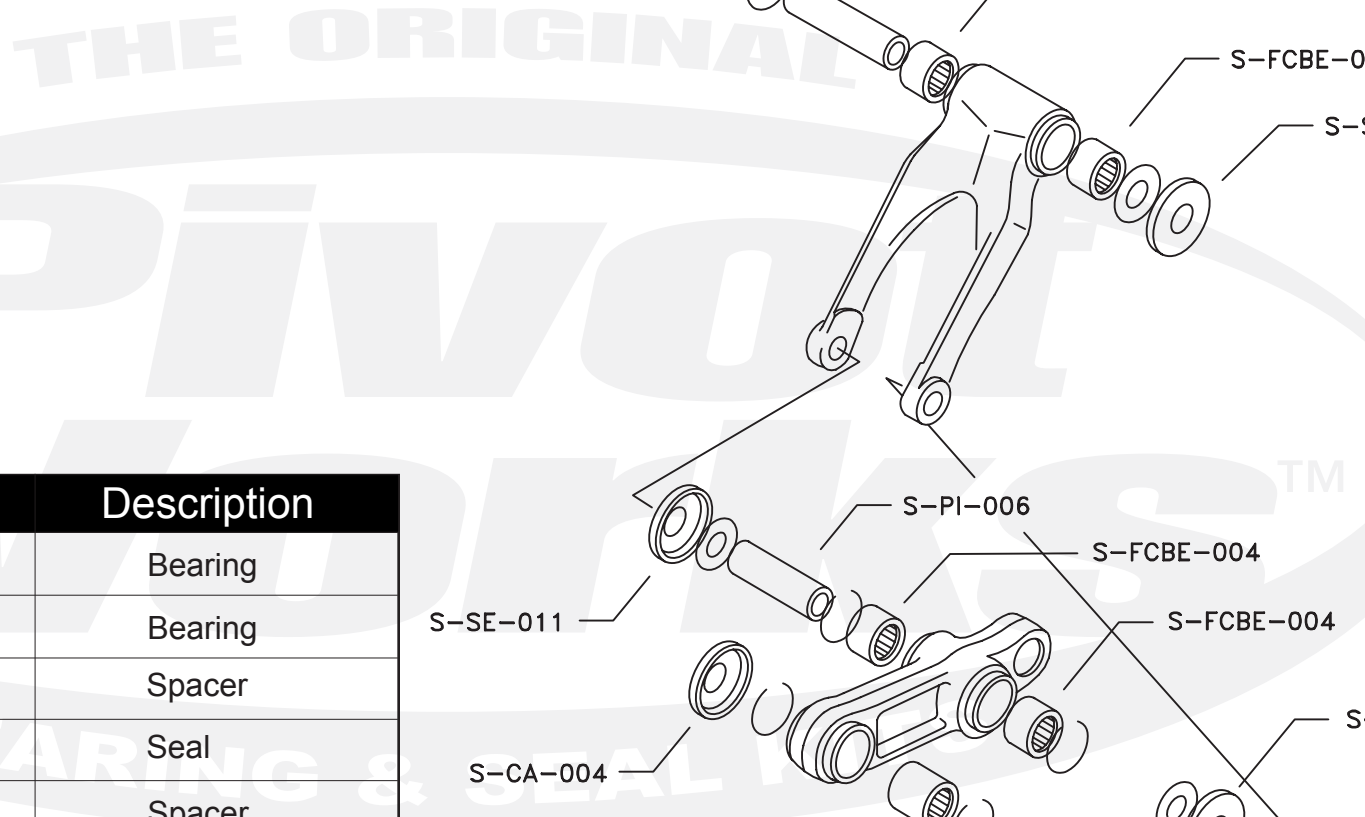


# PWLK-S02-021



Qty.	Part Number	Description
3	S-FCBE-003	Bearing
2	S-FCBE-004	Bearing
1	S-PI-002	Spacer
2	S-CA-004	Seal
1	S-PI-006	Spacer
2	S-SE-011	Seal
1	S-PI-005	Spacer
2	S-SE-012	Seal