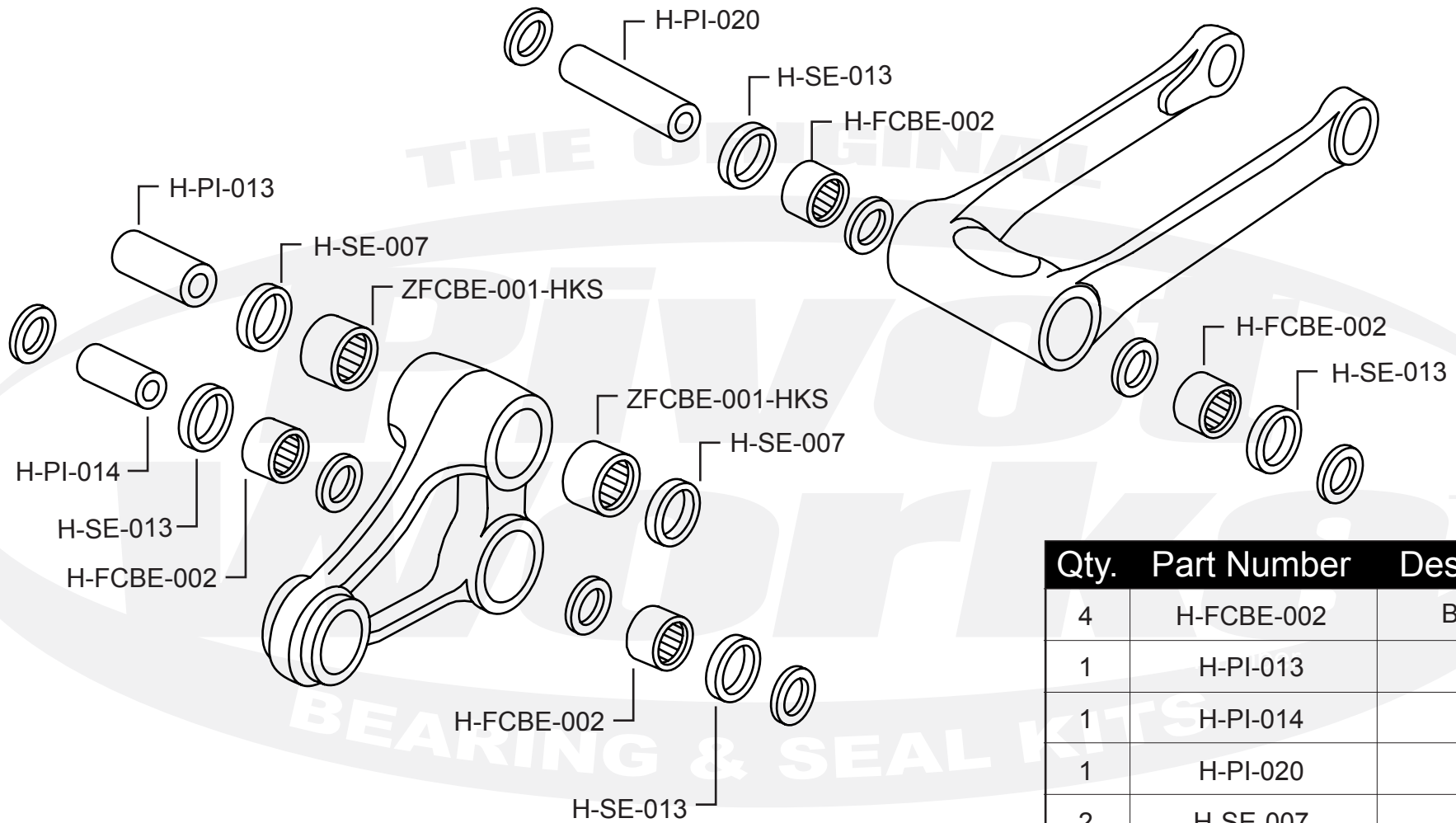


PWLK-H09-500



Qty.	Part Number	Description
4	H-FCBE-002	Bearing
1	H-PI-013	Pin
1	H-PI-014	Pin
1	H-PI-020	Pin
2	H-SE-007	Seal
4	H-SE-013	Seal
2	ZFCBE-001-HKS	Bearing